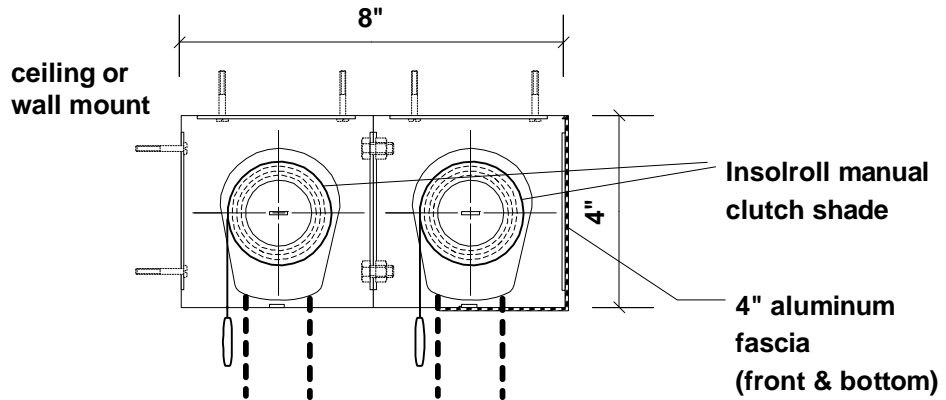




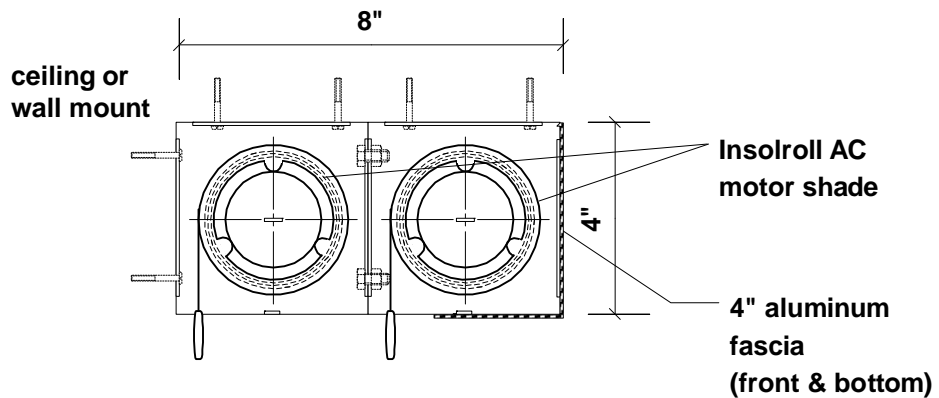
RADIANCE DUAL SHADE

Clutch or 110 V AC Motor Mounted in Dual Fascia

Dual Clutch Shades with 4" Fascia



Dual 110 V AC Shades with 4" Fascia



Notes:

1. Dual fascia brackets consist of two 4" fascia brackets bolted together.
2. Shade Roll Diameter varies depending upon shade height and fabric and roller tube specified.
3. Bracket details work for STD-AC, STD-ACR, STD-ILT, IQM-AC, IQM-ACR, and IQM-ILT motors.